

RX 723, Remote/PC Controlled AV Receiver/Speaker Switcher
7 channels of 2 inputs, 3 outputs; Remote/PC switching

Features

- * 7 channels for each input/output
- * Versions : 2 inputs, 3 outputs or 1 input, 4 outputs
- * Switching across outputs or channels
- * Switch capacity > 6A
- * Suitable for switching home theatres, AV Receivers, speaker systems, amplifiers
- * Optional balanced / unbalanced I/O
- * Infrared Remote Control/Front panel keypad/PC operation
- * input/output socket options: Binding Posts/RCA/ mixed



Introduction

Audiolec's RX 723, Remote Controlled AV Receiver/Speaker Switcher selects and connects 1-out of- 2, 7-channel Inputs (audio sources) on one hand, and 1-out of- 3, 7-channel outputs (speaker systems/amplifiers) on the other. Thus RX 723 simulates two independent rotary switches, 7-pole 2 way and 7-pole 3 way, with their respective poles connected. All switches are passive and isolated from each other.

Such switching function facilitates comparative listening, evaluation and demonstration of home theatres/speaker systems/amplifiers.

Switching, using infrared remote, offers convenience of operation without taking any attention away from listening. A built in serial port allows SS-3 to be controlled from a PC. Input / output switching is possible from front keys also.

Switching options

1. An entire set of outputs/speakers can be switched simultaneously. This switching helps compare sound of complete systems with each other.
2. Any individual channel / speaker out of an output system can be selected and switched across systems. This switching helps compare sounds of same function channels/speakers in the systems connected. For example, only subwoofer in one system can be selected and its sound compared with sub woofer of another system.
3. Within one system, its individual speakers can be selected and switched one by one. This switching helps analyze contribution of each speaker to the overall sound. Also, this switching helps detect any defective speaker with in the system.

Note : Not suitable for switching mains voltages.

- ->page 2

(RX 723, Remote/PC Controlled AVR/Speaker Switcher, 2/2)

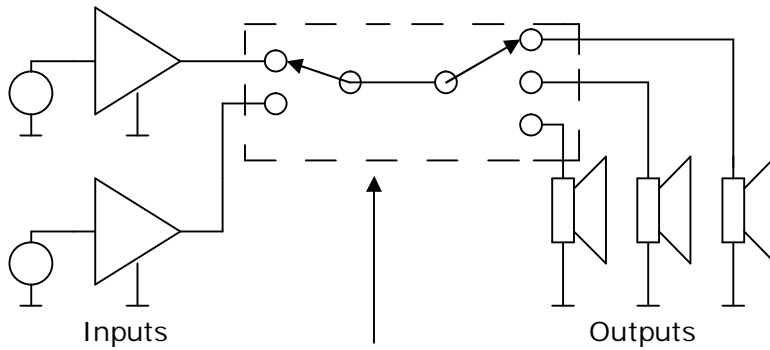


Fig 1. : Schematic example of 1-out of-7 poles of unbalanced, 2 input, 3 output switch RX 723 simulates a 7 pole 2 way switch for inputs and 7 pole 3 way switch for outputs

Specifications:

Switch	Current Rating	6 A rms,
	On- Resistance	< 20 m Ohms
	sequence	break- before- make
Operating Power : Switching Unit		230 V +/- 10% ac, 50 to 60 Hz
Mechanical : Dimensions		330 x 95 x 168 mm, Weight 2.6 Kg
Environmental: Operating Temperature		0 to 45 ° C, Humidity <90%
Range(Remote control)		>10 meters
Sockets for Source & Speaker Connection		Binding Posts/RCA/Mixed as specified by user

Audiolec Instruments

Survey No. 12, Lagad Mala, Vadgaon Khurd, Sinhgad Road,
Pune 411 041, India. Ph. : +91 9422366562
audiolec@vsnl.net www.audiolec.com